

**IE-4751A/B**  
 RECYCLE GAS COMPRESSOR  
 LUBE OIL COOLER

DUTY : 84 kW  
 SHELL DP : 15.0 barg /  
 SHELL DT : 95 C /  
 TUBE DP : 10.0 barg /  
 TUBE DT : 82 C /  
 TRIM SHELL : I3031  
 TUBE : I1021

**IS-4753A/B**  
 RECYCLE GAS COMPRESSOR  
 LUBE OIL FILTER

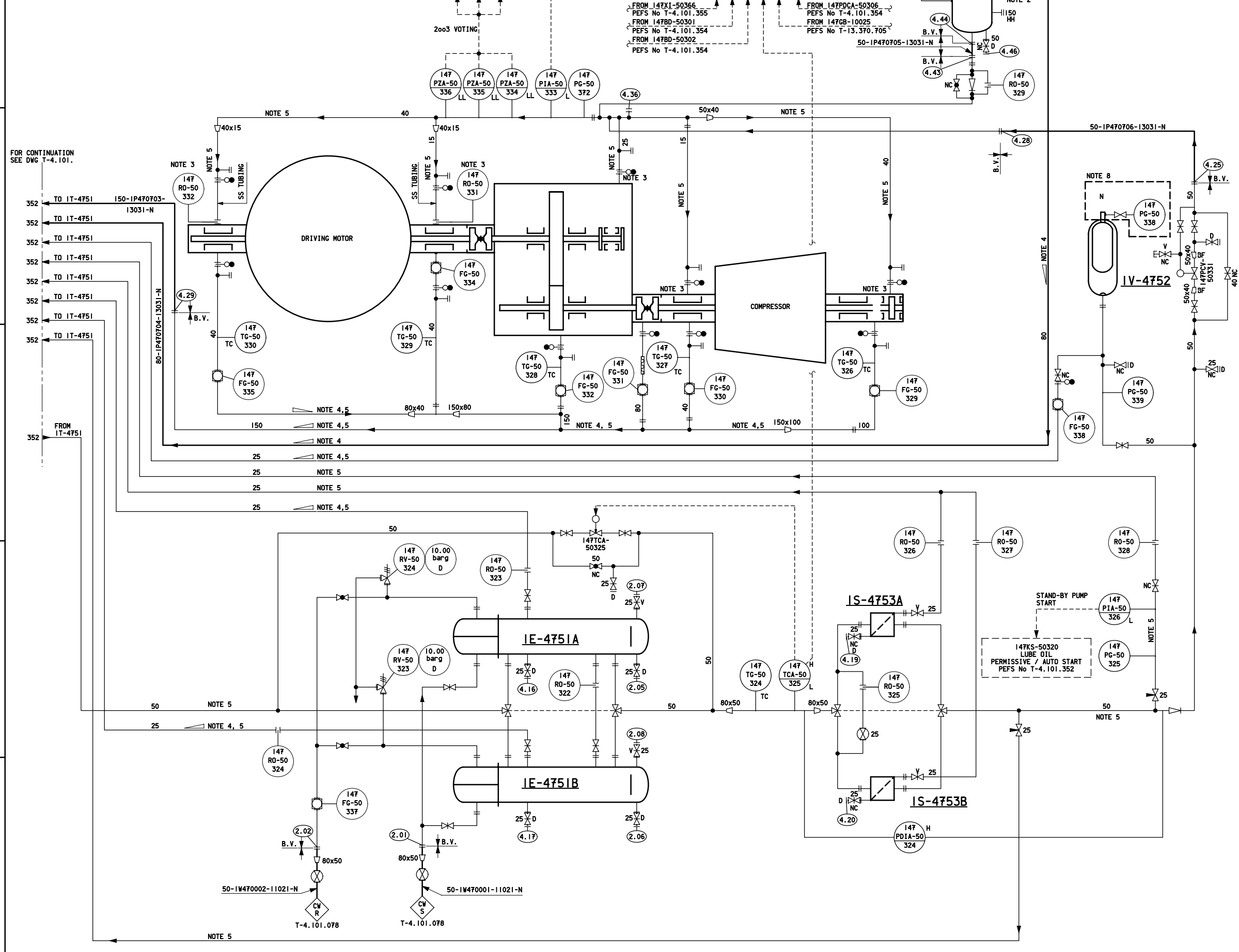
TRIM : I3031

**IV-4751**  
 RECYCLE GAS COMPRESSOR  
 LUBE OIL RUNDOWN TANK

ID : 638 mm  
 TL-TL : 1624 mm  
 DP : ATM  
 DT : 95 C /  
 TRIM : I3031

**IV-4752**  
 RECYCLE GAS COMPRESSOR  
 LUBE OIL ACCUMULATOR

ID : 207 mm  
 TL-TL : 1499 mm  
 DP : 15.0 barg  
 DT : 95 C / -10 C  
 TRIM : I3031



- NOTES**
- FOR GENERAL NOTES AND SYMBOL SEE DWG NOS T-13.370.001, T-13.370.002 AND T-13.370.003.
  - TO BE INSTALLED APPR. 8m (MAX. 9m) ABOVE COMPRESSOR CENTER LINE.
  - RESTRICTION ORIFICE INTEGRATED IN BEARING.
  - MINIMUM SLOPE 4% OR 2°.
  - PIPING CLASS FOR LUBE OIL PRESSURE RATING PN 150 LBS RF.
  - DELETED.
  - DELETED.
  - LOOSE SUPPLY AS N2 CHARGING TOOL.

- System Oil Path
- Jumper Hoses
- ▶ Valve Closed
- ◀ Valve Open
- Blinds/Spades
- M# Mesh Screens

**TRAIN 1, REPEAT FOR TRAIN 2**

E	J.S.H	S.K.K	J.W.L	ISSUED FOR AS BUILT	
D	W.H.Y	S.K.K	J.W.L	ISSUED FOR AS BUILT	
C	S.K.K	I.J.K	J.W.L	ISSUED FOR CONSTRUCTION-UPDATED	
B	J.H.K	I.J.K	J.W.L	ISSUED FOR CONSTRUCTION-UPDATED	
ISSUE	DATE	MADE	CHECK'D	APPR'D	DESCRIPTION

This document is confidential. Neither the whole nor any part of this document may be used, reproduced, copied, stored in any retrieval system or transmitted in any form or by any means (electronic, mechanical, reprographic, recording or otherwise) or disclosed to any third party without the prior written consent of Qatar Shell GTL Ltd. All rights reserved.

<b>PROCESS ENGINEERING FLOW SCHEME CATALYTIC DEWAXING UNIT (CDW) COMPRESSOR LUBE OIL SYSTEM 20F2</b>				
UNIT				
PCWBS	DB	CONTRACTOR	DRG No	
SCALE	NONE	PROJECT DRG No		REV <b>E</b>